

1

2

3

4

5

A

A

B

B

C

C

D

D

E

E

PRESS LATCH TO CLOSE
OR DISCONNECT INNER CHANNEL

4

INNER LENGTH = L-.06

(.56) SET BACK

SLIDE SHOWN IN CLOSED POSITION

TRAVEL = T±.12

LENGTH = L±.03

1.00

.63

J

H

G

F

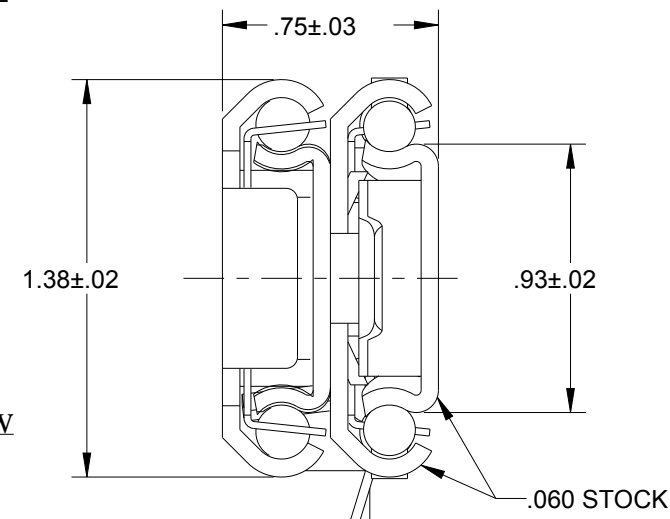
E

.50

∅ .177 HOLE
TYP.

ACCESS SLOT

∅ .177 HOLE
TYP.



6. PART NUMBER: 340QD-SS-XX-P IS A PAIR OF SLIDES

5. SLIDE IS SYMMETRICAL AND MAY BE USED AS
A LEFT-HAND OR RIGHT-HAND MOUNTING UNIT.

4 SLIDE IS PROVIDED WITH LOCK OPEN FEATURE
AND QUICK DISCONNECT OF THE INNER MEMBER.

3. USE NUMBER 8 PAN OR BINDING HEAD SCREWS
FOR MOUNTING THRU THE SLIDE MEMBERS.

2. FINISH: PASSIVATED

1. MATERIAL: STAINLESS STEEL TYPE 300

PART NO.	SLIDE LENGTH	SLIDE TRAVEL	CHASSIS SECTION				CABINET SECTION					LOAD RATING PER PAIR
			SERIES LENGTH	L	T	A	B	C	D	E	F	
340QD-SS-12	12.00	12.88	-	4.000	-	8.500	3.375	-	5.875	10.250	10.750	135 LBS
340QD-SS-14	14.00	14.88	4.000	5.000	9.500	10.500	4.375	-	7.875	12.250	12.750	131 LBS
340QD-SS-16	16.00	16.88	4.000	6.000	10.500	12.500	4.375	-	9.875	14.250	14.750	128 LBS
340QD-SS-18	18.00	18.88	4.000	7.000	11.500	14.500	4.375	8.375	11.875	16.250	16.750	125 LBS
340QD-SS-20	20.00	20.88	4.000	8.000	13.000	16.500	4.375	9.375	13.875	18.250	18.750	120 LBS
340QD-SS-22	22.00	22.88	4.000	9.000	14.000	18.500	4.375	10.375	15.875	20.250	20.750	115 LBS
340QD-SS-24	24.00	24.88	4.000	10.000	15.000	20.500	4.375	11.375	17.875	22.250	22.750	110 LBS
340QD-SS-26	26.00	26.88	4.000	11.000	16.000	22.500	4.375	12.375	19.875	24.250	24.750	105 LBS
340QD-SS-28	28.00	28.88	4.000	12.000	18.000	24.500	4.375	13.375	21.875	26.250	26.750	100 LBS
340QD-SS-30	30.00	30.88	4.000	13.000	18.000	26.000	4.375	14.375	23.875	28.250	28.750	95 LBS



Irvine Technology Center
250 Commerce, Suite 100
Irvine, CA 92602
Tel. (714) 665-4400
Fax: (714) 368-7002
Website: www.jonathanengr.com
Engineer - Production - Integration/ Subassembly - Logistics
United States - Mexico - China - Taiwan

TOLERANCES UNLESS OTHERWISE NOTED				PART NUMBER : 340QD-SS		DESCRIPTION : MATERIAL: STAINLESS STEEL SERIES: 340QD-SS LOAD RATING : 95-135LBS	
.XX	.XXX	ANGLES	HOLES	DATE : 09/19/2018			
± .03	± .010	± 2°	± .005	SHEET 1 OF 1		COPYRIGHT © 2012 JONATHAN ENGINEERED SOLUTIONS	