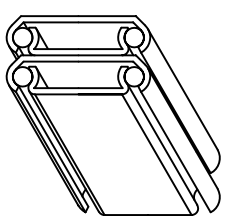
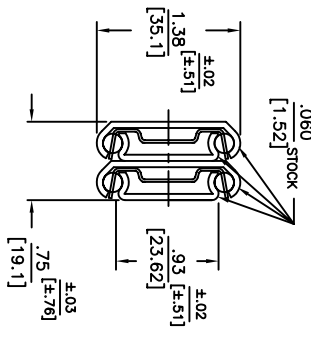


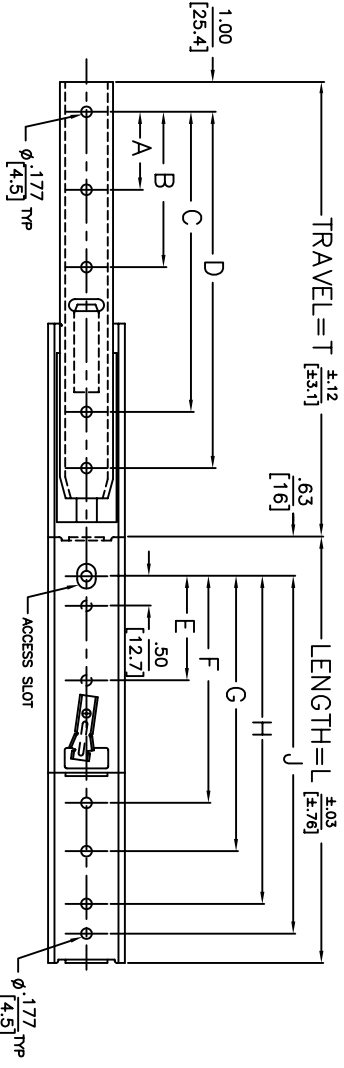
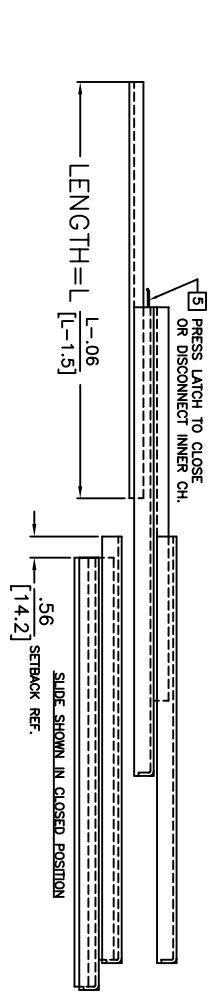
- NOTES:**
1. SLIDE IS SYMMETRICAL. MAY BE USED AS LEFT OR RIGHT HAND SLIDE.
  2. HOLES OTHER THAN SHOWN MAY BE IN THE SLIDE MEMBERS AT JONATHAN OPTION.
  3. FOR "EVA/REINMA" BRACKETS, SEE SEPARATE SECTION.
  4. USE NUMBER 8 PAN OR BINDING HEAD SCREWS FOR MOUNTING THRU THE SLIDE MEMBERS.
  5. SLIDE IS PROVIDED WITH LOCK OPEN FEATURE AND QUICK DISCONNECT.



ISOMETRIC REPRESENTATION



END VIEW



PART NO.	SLIDE DIM.	SLIDE DIM.	MOUNTING HOLE PATTERN						LOAD RATING				
			INNER CHANNEL	INNER CHANNEL	INNER CHANNEL	INNER CHANNEL	INNER CHANNEL	INNER CHANNEL					
SERIES	LENGTH	L	T	A	B	C	D	E	F	G	H	J	PER PAIR
3400D-12	12	12.89	12.99	4.000	101.60	8.500	3.375	215.90	83.775	5.875	10.250	10.750	135 LBS
3400D-14	14	14.88	14.98	4.000	101.60	9.500	4.375	231.90	93.775	6.875	11.250	11.750	151 KG
3400D-16	16	16.88	16.98	4.000	101.60	10.500	5.375	247.90	103.775	7.875	12.250	12.750	167 KG
3400D-18	18	18.88	18.98	4.000	101.60	11.500	6.375	263.90	113.775	8.875	13.250	13.750	183 KG
3400D-20	20	20.88	20.98	4.000	101.60	12.500	7.375	279.90	123.775	9.875	14.250	14.750	200 KG
3400D-22	22	22.88	22.98	4.000	101.60	13.500	8.375	295.90	133.775	10.875	15.250	15.750	217 KG
3400D-24	24	24.88	24.98	4.000	101.60	14.500	9.375	311.90	143.775	11.875	16.250	16.750	234 KG
3400D-26	26	26.88	26.98	4.000	101.60	15.500	10.375	327.90	153.775	12.875	17.250	17.750	251 KG
3400D-28	28	28.88	28.98	4.000	101.60	16.500	11.375	343.90	163.775	13.875	18.250	18.750	268 KG
3400D-30	30	30.88	30.98	4.000	101.60	17.500	12.375	359.90	173.775	14.875	19.250	19.750	285 KG



Irvine Technology Center  
410 Exchange, Suite 200  
Irvine, CA 92602  
Tel: (714) 665-4400  
Website: [www.jonathanEng.com](http://www.jonathanEng.com)  
Engineering • Production • Integration / Subassembly • Logistics  
United States • Mexico • China • Taiwan

DIMENSIONS SHOWN IN [MM]		PART NO.	DESCRIPTION:
AS: UNLESS OTHERWISE NOTED		3400D	STEEL
XX	±.020		SERIES 3400D
X	±.51		LOAD RATING: 95-135 LBS. / 43-66 KG.
XXX	±.010	DATE:	6/04
XX	±.25	COPYRIGHT © 2004 JONATHAN ENGINEERED SOLUTIONS	