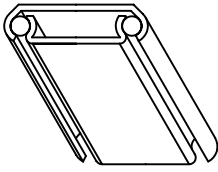
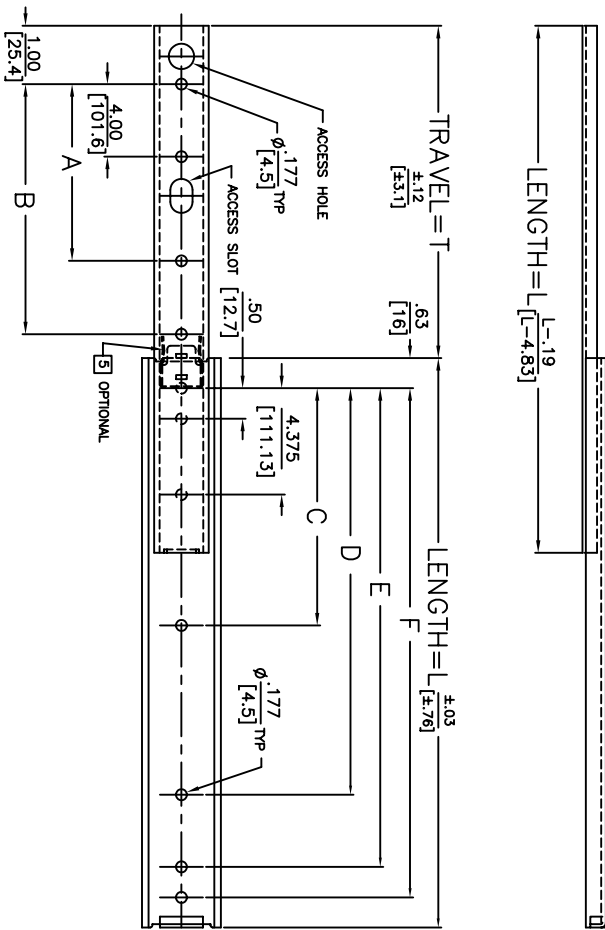
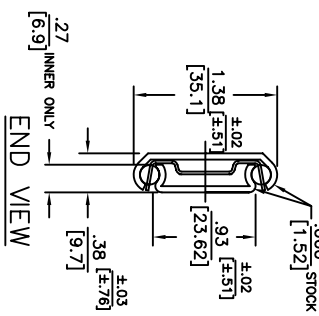


- NOTE:**
- 330- SLIDE WITHOUT DETENT
 - 33000- SLIDE WITH DETENT OPEN
 - SLIDE IS SYMMETRICAL. MAY BE USED AS LEFT OR RIGHT HAND SLIDE.
 - HOLE OTHER THAN SHOWN MAY BE IN THE SLIDE MEMBERS AT JONATHAN OPTION.
 - FOR "EIA/REMA" BRACKETS, SEE SEPARATE SECTION.
 - SLIDE IS PROVIDED WITH DETENT OPEN (OPTIONAL).
 - CUSHIONED CLOSED POSITION STOP.
 - USE NUMBER 8 PAN OR BINDING HEAD SCREWS FOR MOUNTING THRU THE SLIDE MEMBERS.



ISOMETRIC REPRESENTATION



PART NO.	SERIES	SLIDE LENGTH	MOUNTING HOLE PATTERN						LOAD RATING
			INNER CHANNEL	OUTER CHANNEL	PER PAIR	PER PAIR	PER PAIR	PER PAIR	
			A	B	C	D	E	F	
330-10	L	10	6.94						145 LBS 66 KG
330-12	T	12	8.94	6.000					140 LBS 64 KG
33000-12		304.8	227	152.40					140 LBS 64 KG
3300-14		355.6	14	8.000	203.20				130 KG 59 KG
330-16		16	11.94	10.000					120 LBS 55 KG
33000-16		406.4	303	254.00					110 LBS 50 KG
33000-18		18	12.94	8.000	11.000				110 LBS 50 KG
33000-18		457.2	329	203.20	279.40				110 LBS 50 KG
330-20		20	14.94	9.000	33.000				100 LBS 46 KG
33000-20		508	380	228.60	330.20				100 LBS 46 KG
33000-22		22	15.94	10.000	14.000				90 LBS 41 KG
33000-22		558.8	405	254.00	355.60				90 LBS 41 KG
330-24		24	16.94	11.000	15.000				80 LBS 36 KG
33000-24		609.6	430	279.40	381.00				80 LBS 36 KG
33000-26		26	18.94	12.000	17.000				70 LBS 32 KG
33000-26		660.4	481	304.80	431.80				70 LBS 32 KG
330-28		28	19.94	13.000	18.000				60 LBS 27 KG
33000-28		711.2	506	330.20	457.20				60 LBS 27 KG
33000-30		30	20.94	14.000	19.000				50 LBS 23 KG
33000-30		762	532	355.60	482.60				50 LBS 23 KG

JONATHAN
Engineered Solutions

Irvine Technology Center
410 Exchange, Suite 200
Irvine, CA 92602
Tel: (714) 665-4400

Website: www.jonathanEng.com
Engineering • Production • Integration / Subassembly • Logistics
United States • Mexico • China • Taiwan

Part No. 330/33000

DESCRIPTION: STEEL

SERIES 330/33000

LOAD RATING: 50-145 LBS. / 23-66 KG.

DATE: 6/04

COPYRIGHT © 2004 JONATHAN ENGINEERED SOLUTIONS

1 2 3 4 5 6