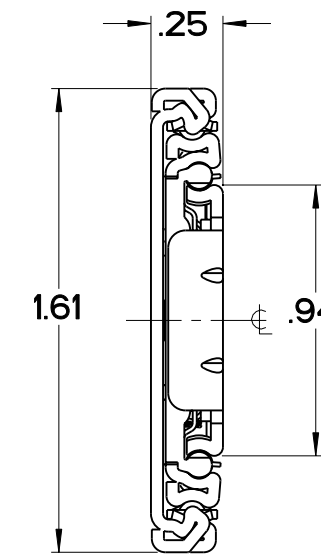
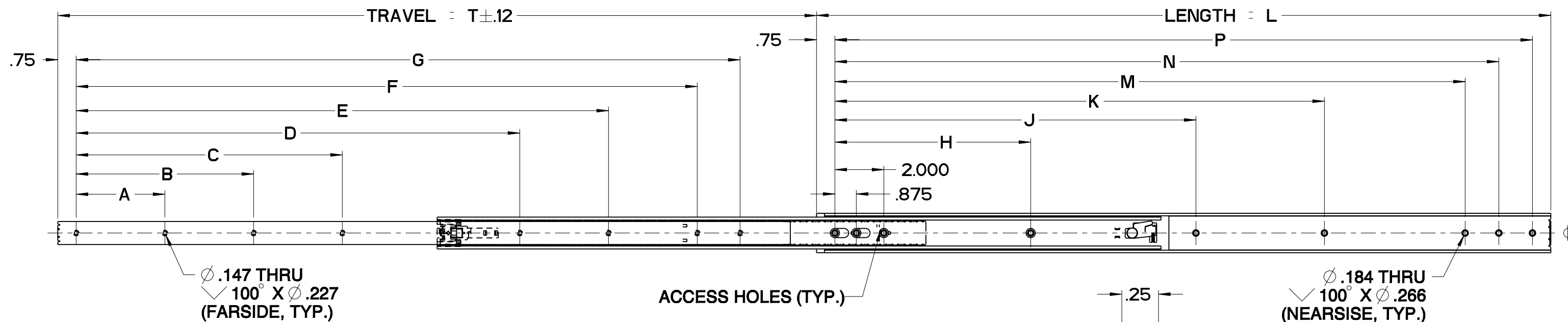


3 PUSH FOR QUICK DISCONNECT AND TO FREE SLIDE FOR CLOSING.

CABINET SECTION

CHASSIS SECTION



6. USE #6 X 100° FLAT HEAD MACHINE SCREWS FOR MOUNTING THRU THE SLIDE MEMBERS.

5. HOLES OTHER THAN THOSE SHOWN MAY BE IN THE SLIDE MEMBERS.

4. SLIDE MAY BE USED AS A LEFT-HAND OR RIGHT-HAND MOUNTING UNIT.

3 SLIDE IS PROVIDED WITH A LOCK-OPEN MECHANISM AND QUICK DISCONNECT OF INNER MEMBER.

2. FINISH: ZINC PLATE RoHS COMPLIANT.

1. MATERIAL: COLD ROLLED STEEL.

PART NUMBER	SLIDE		INNER CHANNEL							OUTER CHANNEL					
	LENGTH	TRAVEL	A	B	C	D	E	F	G	H	J	K	M	N	P
101QD-10	10.00	11.00	3.625	7.250	-	-	-	-	-	-	4.250	-	5.750	7.125	8.500
101QD-12	12.00	13.00	3.625	-	-	-	-	-	9.125	3.500	5.750	-	7.750	9.125	10.500
101QD-14	14.00	15.00	3.625	-	10.875	-	-	-	-	4.000	6.750	8.500	9.750	11.125	12.500
101QD-16	16.00	17.00	3.625	-	10.875	-	-	-	13.125	4.500	7.750	10.000	11.750	13.125	14.500
101QD-18	18.00	19.00	3.625	7.250	-	14.500	-	-	15.125	5.000	8.750	11.500	13.750	15.125	16.500
101QD-20	20.00	21.00	3.625	7.250	-	14.500	-	-	17.125	5.500	9.750	13.000	15.750	17.125	18.500
101QD-22	22.00	23.00	3.625	7.250	-	14.500	18.125	-	19.125	6.000	10.750	14.000	17.750	19.125	20.500
101QD-24	24.00	25.00	3.625	7.250	10.875	14.500	18.125	-	21.125	6.500	11.750	16.000	19.750	21.125	22.500
101QD-26	26.00	27.00	3.625	7.250	10.875	-	18.125	21.750	23.125	7.000	12.750	17.000	21.750	23.125	24.500
101QD-28	28.00	29.00	3.625	7.250	10.875	18.125	21.750	-	25.125	7.500	13.750	19.000	23.750	25.125	26.500
101QD-30	30.00	31.00	3.625	7.250	10.875	18.125	21.750	25.375	27.125	8.000	14.750	20.000	25.750	27.125	28.500



Irvine Technology Center
 410 Exchange, Suite 200
 Irvine, CA 92602
 Tel. (714) 665-4400
 Fax: (714) 368-7002
 Website: www.jonathanengr.com
 Engineer - Production - Integration/ Subassembly - Logistics
 United States - Mexico - China - Taiwan

TOLERANCES UNLESS OTHERWISE NOTED				PART NUMBER : 101QD		DESCRIPTION : MATERIAL: STEEL SERIES 101QD LOAD RATING : 100LBS/ PAIR
.XX	.XXX	ANGLES	HOLES	DATE : 11/22/13		
± .03	± .010	± 2°	± .005	SHEET 1 OF 1		
				COPYRIGHT © 2012 JONATHAN ENGINEERED SOLUTIONS		