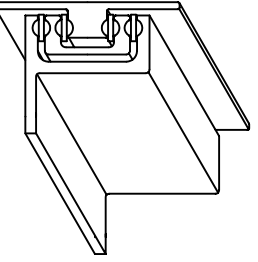
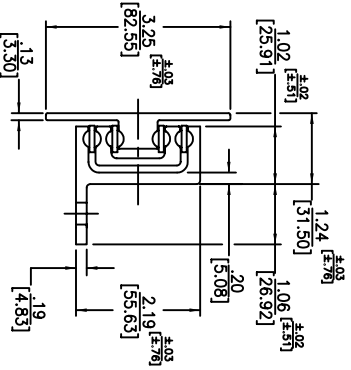


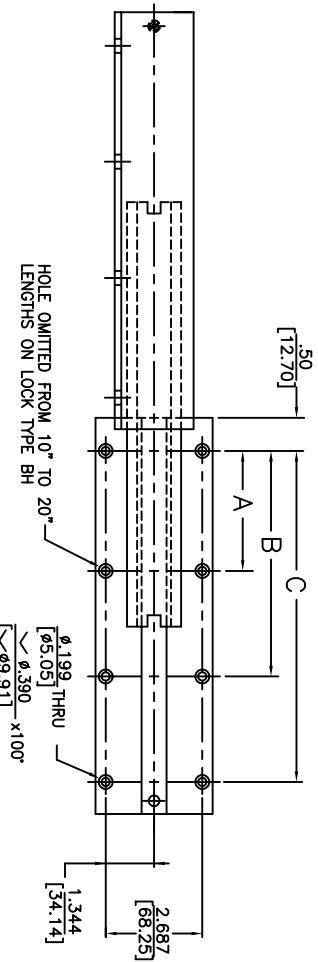
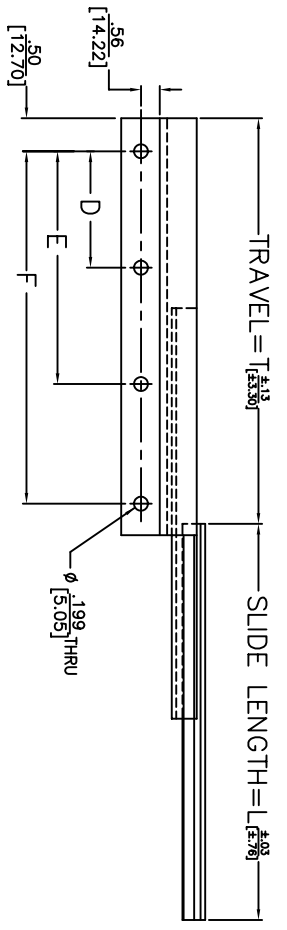
- NOTES:**
1. LEFT SLIDE AS SHOWN, RIGHT SLIDE OPPOSITE.
 2. FOR LOCKING DEVICES, SEE SEPARATE SECTION.
 3. MOUNTING HOLE TOLERANCE: $\pm .005$
[$\pm .13$]



ISOMETRIC REPRESENTATION



END VIEW



PART NO.	SLIDE LENGTH	SLIDE TRAVEL	MOUNTING HOLE PATTERN			LOAD RATING			
SERIES	DIM. L	DIM. T	INNER MEMBER A	INNER MEMBER B	INNER MEMBER C	OUTER MEMBER D	OUTER MEMBER E	OUTER MEMBER F	PER PAIR
67-10	10 254	9 228.6	3 76.2	6 152.4	9 228.6	7 177.8	4 101.6	9 228.6	240 LBS 108 KG
67-12	12 304.8	11 279.4	4 101.6	7 177.8	11 279.4	4 101.6	9 228.6	260 LBS 120 KG	
67-14	14 355.6	13 330.2	4 101.6	9 228.6	13 330.2	4 101.6	9 228.6	280 LBS 127 KG	
67-16	16 406.4	15 381	5 127	10 254	15 381	5 127	10 254	241 LBS 109 KG	
67-18	18 457.2	17 431.8	6 152.4	11 279.4	17 431.8	6 152.4	11 279.4	214 LBS 97 KG	
67-20	20 508	19 482.6	6 152.4	13 330.2	19 482.6	6 152.4	13 330.2	198 LBS 89 KG	
67-22	22 558.8	21 533.4	7 177.8	14 355.6	21 533.4	7 177.8	14 355.6	183 LBS 83 KG	
67-24	24 609.6	23 584.2	8 203.2	15 381	23 584.2	8 203.2	15 381	171 LBS 77 KG	
67-26	26 660.4	25 635	8 203.2	17 431.8	25 635	8 203.2	17 431.8	163 LBS 73 KG	
67-28	28 711.2	27 685.8	9 228.6	18 457.2	27 685.8	9 228.6	18 457.2	156 LBS 70 KG	
67-30	30 762	29 736.6	10 254	19 482.6	29 736.6	10 254	19 482.6	150 LBS 68 KG	
67-32	32 812.8	31 787.4	10 254	21 533.4	31 787.4	10 254	21 533.4	146 LBS 66 KG	
67-34	34 863.6	33 838.2	11 279.4	22 558.8	33 838.2	11 279.4	22 558.8	142 LBS 64 KG	
67-36	36 914.4	35 889	12 304.8	23 584.2	35 889	12 304.8	23 584.2	136 LBS 61 KG	

1 2 3 4 5 6



Jonathan Engineered Solutions
 Irvine Technology Center
 410 Exchange, Suite 200
 Irvine, CA 92602
 Tel: (714) 665-4400
 Website: www.jonathanengr.com
 Engineering • Production • Integration / Subassembly • Logistics
 United States • Mexico • China • Taiwan

DIMENSIONS SHOWN AS: INL. [MM]	PART NO. 67	DESCRIPTION: ALUMINUM SERIES 67
TOLERANCE NOTED UNLESS OTHERWISE NOTED	DATE: 6/04	LOAD RATING: 136-265 LBS. / 61-120 KG.
XX ±.010 X ±.005 XXX ±.005 XX ±.13	ANGLES ±1°	

COPYRIGHT © 2004 JONATHAN ENGINEERED SOLUTIONS