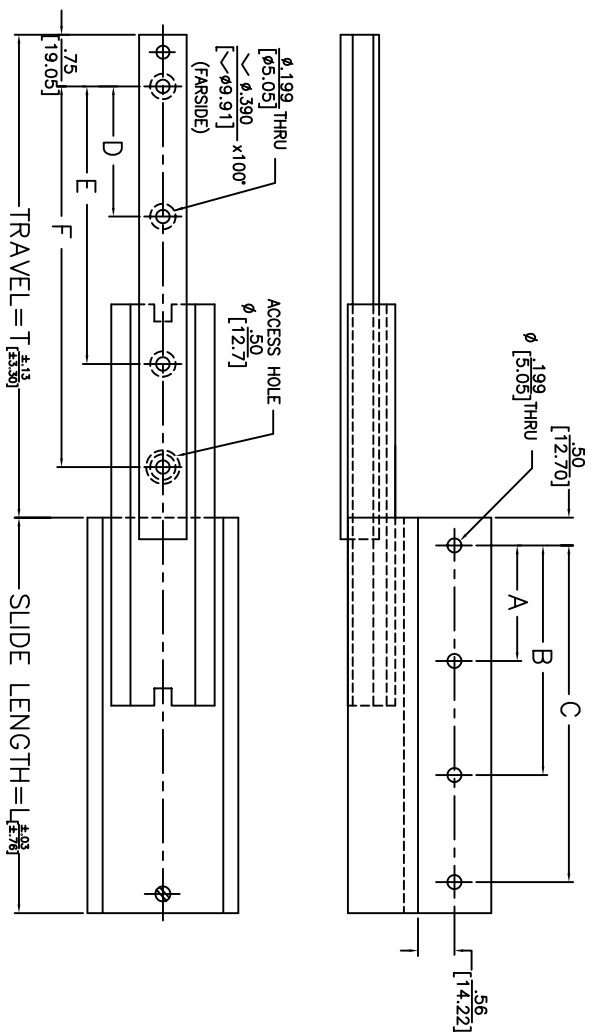
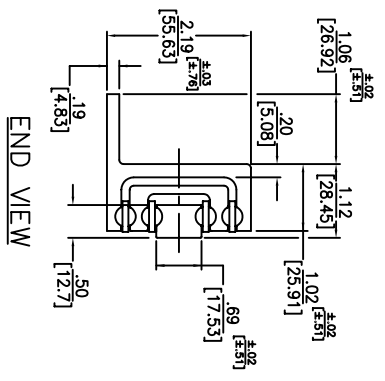
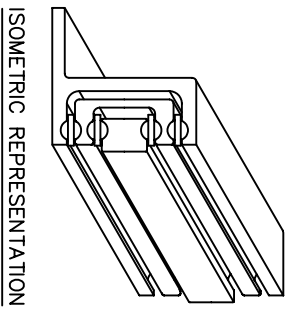


- NOTES:
1. LEFT SLIDE AS SHOWN, RIGHT SLIDE OPPOSITE.
 2. SLIDE MAY BE PROVIDED WITH LOCK, CONTACT JONATHAN.
 3. MOUNTING HOLE TOLERANCE: $\pm .005$ [±.13]



PART NO.	SERIES	SLIDE LENGTH	SLIDE DIM.	MOUNTING HOLE PATTERN			INNER MEMBER DIM.	INNER MEMBER PER PAIR	LOAD RATING
				A	B	C			
68-10	10	254	9	3	6	9	5	8	240 LBS
68-12	12	279.4	11	4	7	11	7	10	265 LBS
68-14	14	304.8	13	4	9	13	8	12	280 LBS
68-16	16	330.2	15	5	10	15	9	14	241 LBS
68-18	18	355.6	17	6	11	17	10	16	214 LBS
68-20	20	381	19	6	13	19	12	18	198 LBS
68-22	22	406.4	21	7	14	21	13	20	183 LBS
68-24	24	431.8	23	7	15	23	14	22	171 LBS
68-26	26	457.2	25	8	16	25	15	24	163 LBS
68-28	28	482.6	27	9	17	27	16	26	156 LBS
68-30	30	508	29	10	18	29	17	28	150 LBS
68-32	32	533.4	31	10	19	31	18	30	146 LBS
68-34	34	558.8	33	11	20	33	19	32	142 LBS
68-36	36	584.2	35	12	21	35	20	34	136 LBS

JONATHAN
Engineered Solutions

Irvine Technology Center
410 Exchange, Suite 200
Irvine, CA 92602
Tel: (714) 665-4400

Website: www.jonathanEng.com
Engineering • Production • Integration / Subassembly • Logistics
United States • Mexico • China • Taiwan

DIMENSIONS SHOWN IN [MM]

AS: TOLERANCE UNLESS OTHERWISE NOTED

XX ±.010
X ±.031
XXX ±.005
XX ±.13

ANGLES ±1°

PART NO. 68

DESCRIPTION: ALUMINUM

DATE: 6/04

LOAD RATING: 136-265 LBS. / 61-120 KG.

COPYRIGHT © 2004 JONATHAN ENGINEERED SOLUTIONS