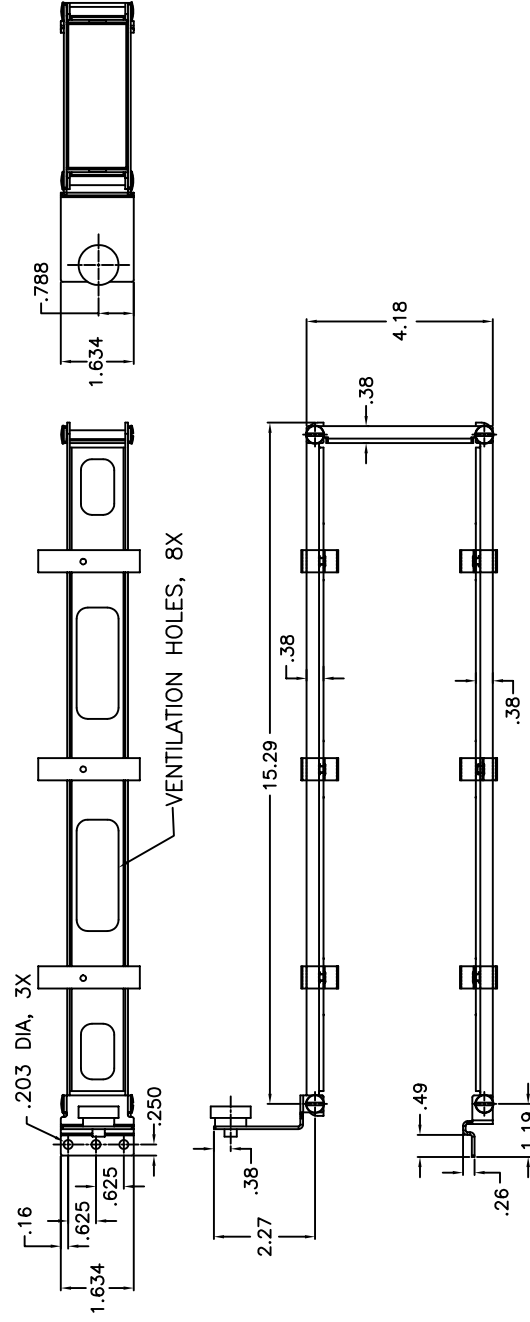
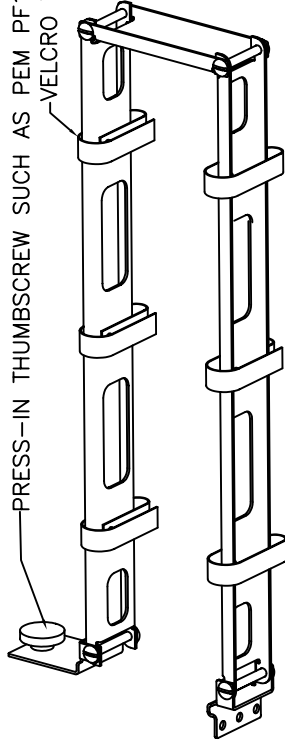



1 2 3 4 5 6

- 1 MATERIAL: COLD ROLLED STEEL
- 2 FINISH: COMMERCIAL ZINC-PLATE

PRESS-IN THUMBSREW SUCH AS PEM PF11-632-0-CN
VELCRO TIE, 6X



VENTILATION HOLES, 8X



Jonathan
Engineered Solutions

Irvine Technology Center
410 Exchange, Suite 200
Irvine, CA 92602
Tel: (714) 665-4400
Website: www.JonathanEngr.com
Engineering • Production • Integration • Subassembly • Logistics
United States • Mexico • China • Taiwan

DIMENSIONS SHOWN AS:	PART NO.	DESCRIPTION:	
[IN.]	MCR-1019	CABLE MANAGEMENT	
[MM]		SERIES MCR-1019	
TOLERANCE UNLESS OTHERWISE NOTED	DATE:		
.XX ±.030	1/11		
.X [±.76]			
.XXX ±.010			
.XX [±.25]			
ANGLES ±2°			

COPYRIGHT © 2011 JONATHAN ENGINEERED SOLUTIONS

1 2 3 4 5 6