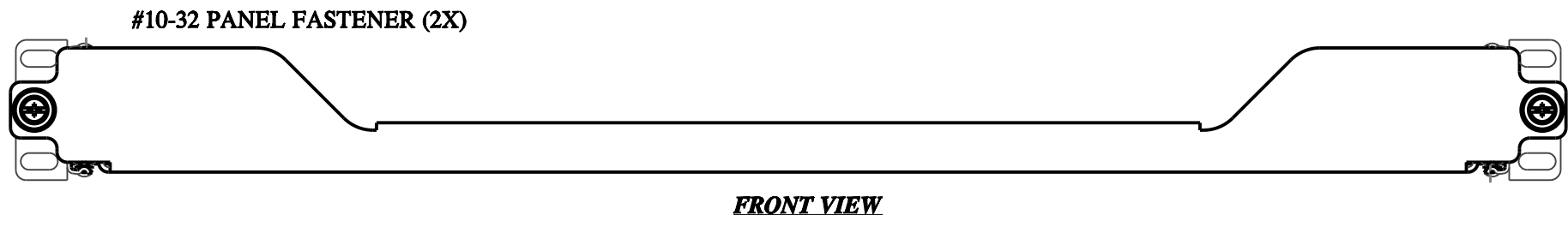
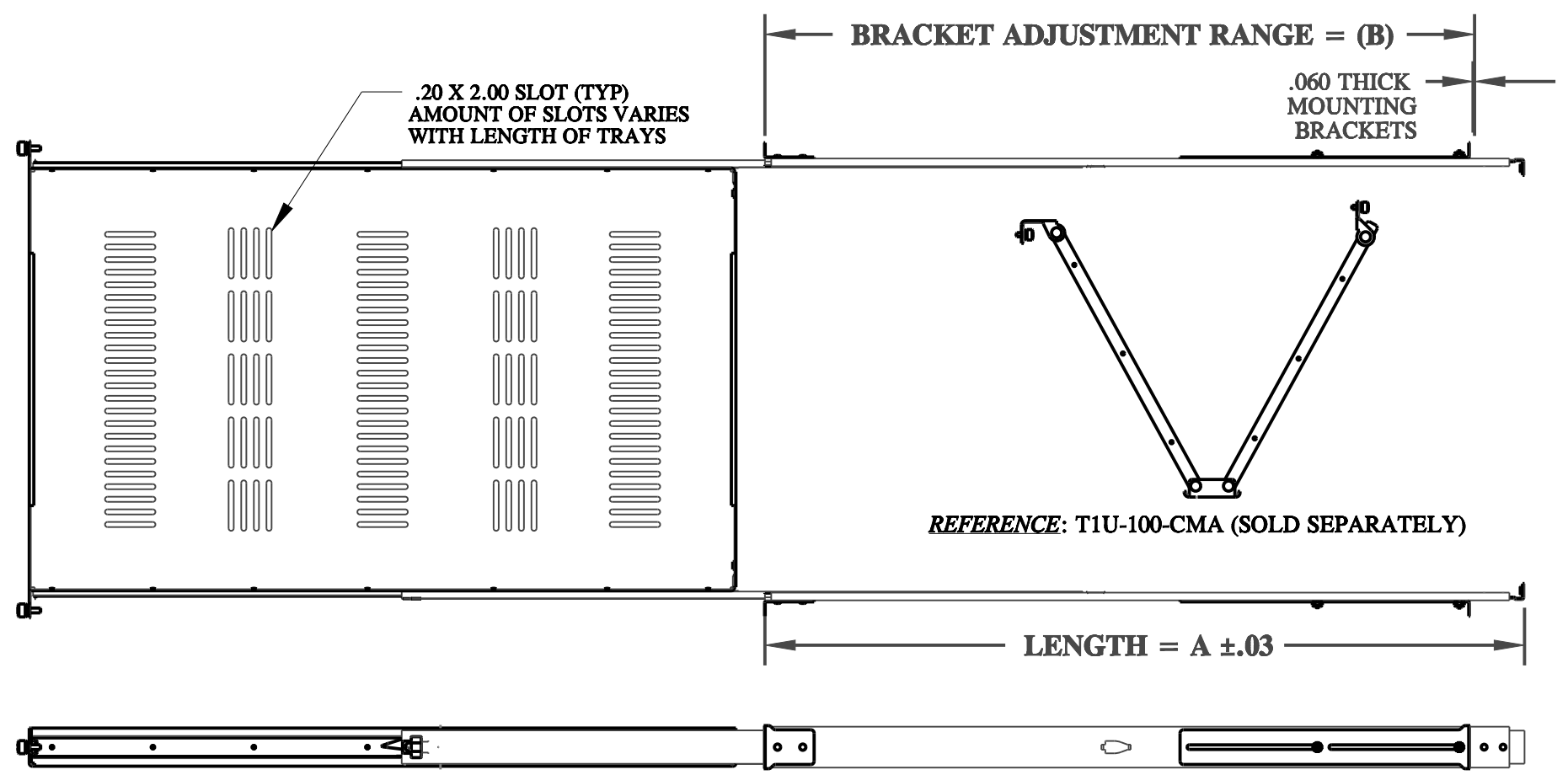



TRAY KIT	TRAY LENGTH	TRAVEL	LENGTH	REAR BRACKET ADJUSTMENT RANGE	LOAD RATING
PART NUMBER	L	T	A	B	LBS/TRAY
T1U-400-14	14.00	15.00	16.10	14.00 TO 19.00	80
T1U-400-16	16.00	17.00	18.10	16.00 TO 21.00	100
T1U-400-18	18.00	19.00	20.10	18.00 TO 23.00	115
T1U-400-20	20.00	21.00	22.10	20.00 TO 25.00	115
T1U-400-22	22.00	23.00	24.10	22.00 TO 27.00	115
T1U-400-24	24.00	25.00	26.10	24.00 TO 29.00	110
T1U-400-26	26.00	27.00	28.10	26.00 TO 31.00	110
T1U-400-28	28.00	29.00	30.10	28.00 TO 33.00	110



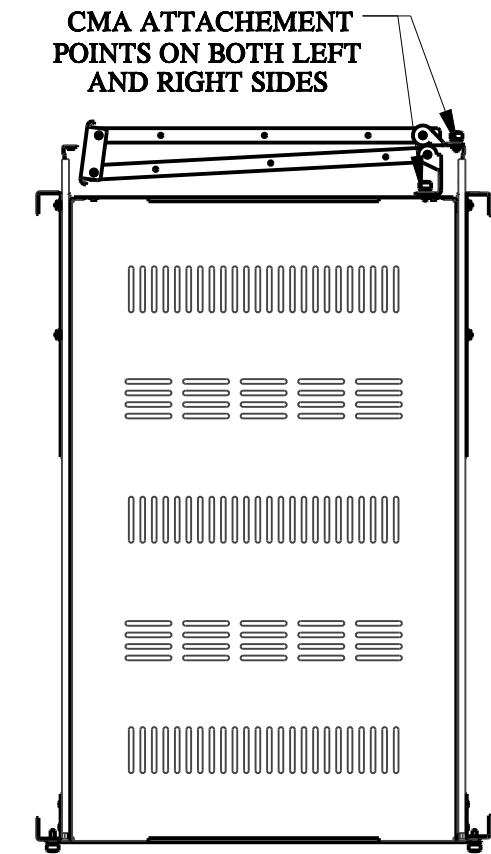
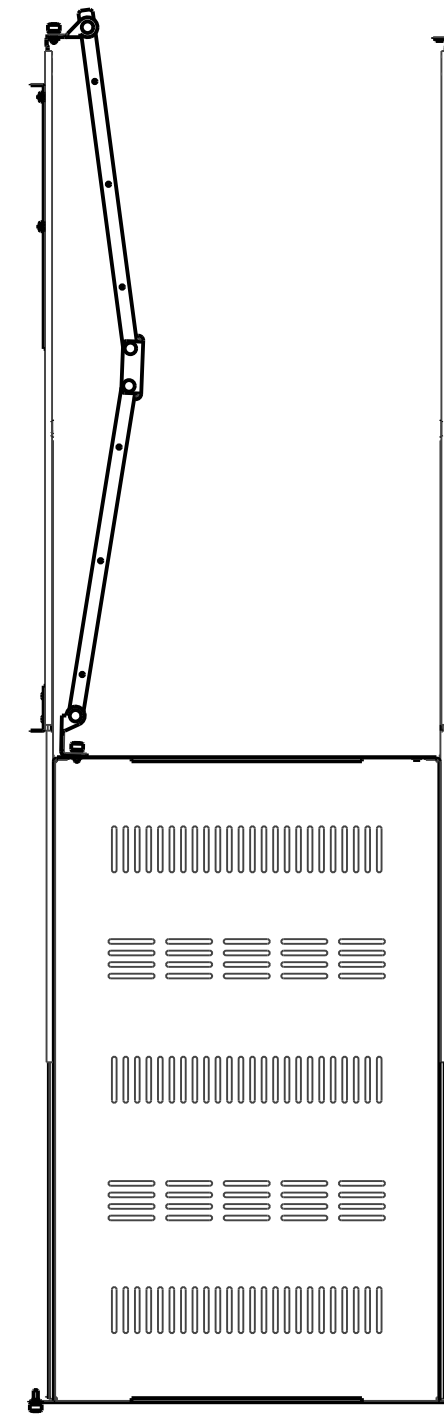
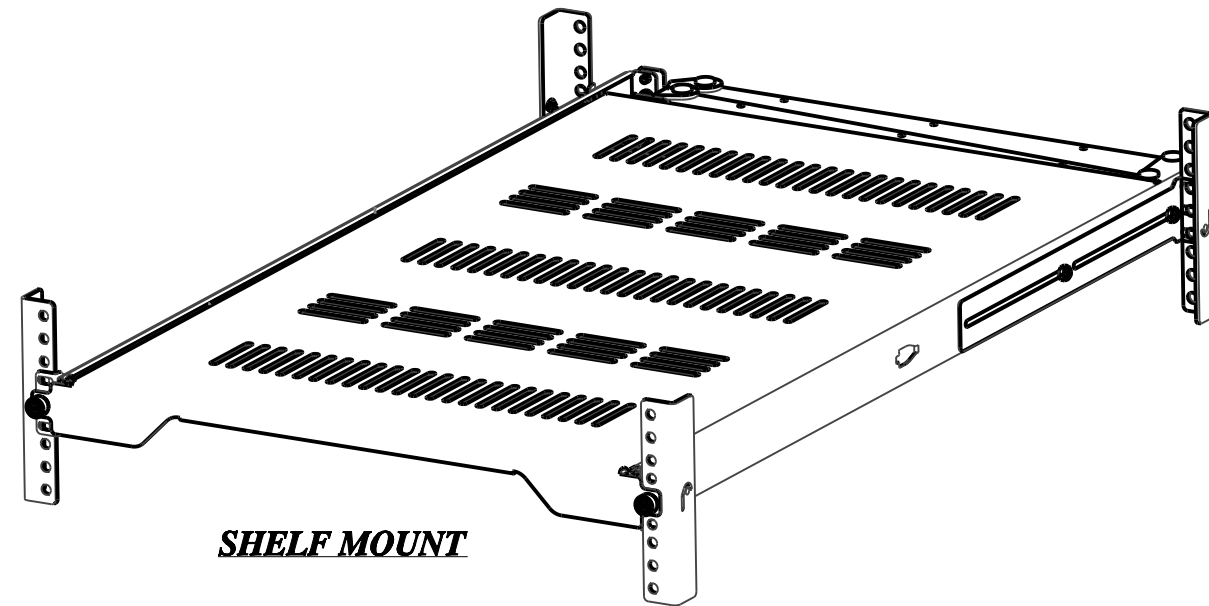
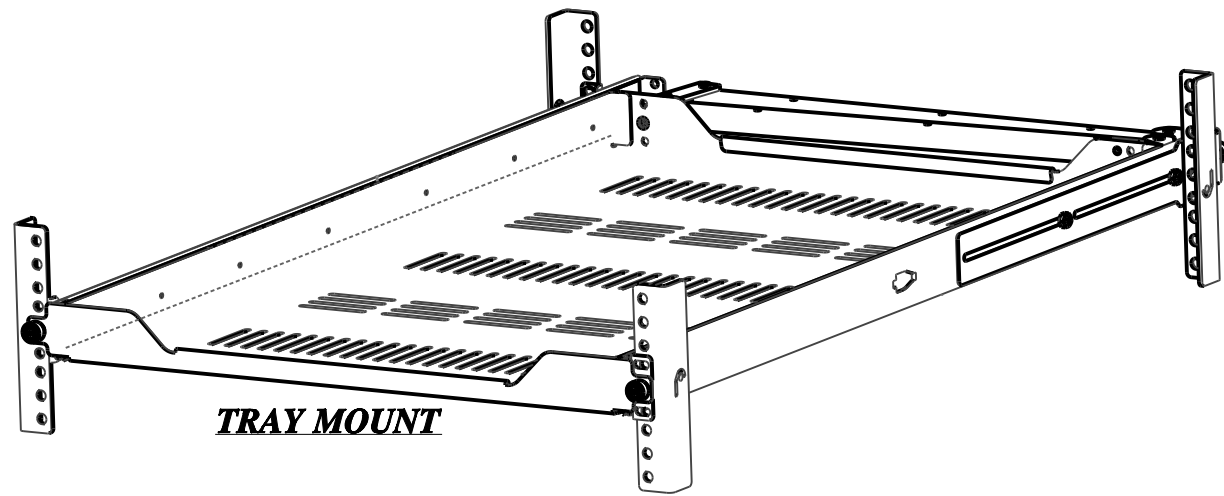
5. TRAY IS SYMMETRICAL AND MAY BE MOUNTED AS A SHELF OR TRAY, AS SHOWN ON SHEET 2. TO CONVERT, DISCONNECT CHASSIS SECTION, FLIP TRAY OVER AND RE-INSTALL.
4. TRAY KIT INCLUDES:
 - 1 EA. SLIDE ASSEMBLY AND TRAY RIVETED TOGETHER WITH EIA MOUNTING BRACKETS ATTACHED.
 - 1 EA. HARDWARE KIT:
 - 12 EA. CLIP NUTS #10-32
 - 10 EA. SCREWS PHPH #10-32 X 1/2" SS
3. SLIDE LOCKS IN THE FULL OPEN POSITION AND IS PROVIDED WITH A DISCONNECT OF THE CHASSIS SECTION.
2. FINISH: SLIDE CHANNELS AND BRACKETS ARE COMMERCIAL ZINC PLATE ROHS COMPLIANT. TRAY IS POLYURETHANE BLACK POWDER COATED.
1. MATERIAL: SLIDE CHANNELS, BRACKETS AND TRAY ARE COLD ROLLED STEEL



JONATHAN[®]
ENGINEERED SOLUTIONS

Irvine Technology Center
250 Commerce, Suite 100
Irvine, CA 92602
Tel. (714) 665-4400
Fax: (714) 368-7002
Website: www.jonathanengr.com
Engineer - Production - Integration/ Subassembly - Logistics
United States - Mexico - China - Taiwan

TOLERANCES UNLESS OTHERWISE NOTED				PART NUMBER : T1U-400		DESCRIPTION : STEEL T1U-400	
.XX	.XXX	ANGLES	HOLES	DATE : 11/10/20		LOAD RATING: 80 TO 110 LBS	
± .03	± .010	± 1°	± .005	SHEET 1 OF 2		COPYRIGHT © 2012 JONATHAN ENGINEERED SOLUTIONS	



CMA ATTACHEMENT POINTS ON BOTH LEFT AND RIGHT SIDES

ACCESSORIES: (ORDERED SEPARATELY)

- T1U-100-CMA 1U CABLE ARM ASSEMBLY - STEEL/ZINC PLATE ROHS COMPLIANT.
- TK-STP-4-K STRAP WITH METAL CAM BUCKLE KIT:
2 EA. STRAP WITH BUCKEL 4 FEET LONG
- TK-STP-5-K STRAP WITH METAL CAM BUCKLE KIT:
2 EA. STRAP WITH BUCKEL 5 FEET LONG
- TK-MAT-1212 MAT-ANTI SLIP 12" X 12"
- TK-MAT-1218 MAT-ANTI SLIP 12" X 18"
- TK-HLT STRAP TRAY KIT:
4 EA. .75" X 14.00" STRAP
- TK-HLC HOOK AND LOOP CMA KIT:
4 EA. .50" X 8.00" HOOK AND LOOP STRAP



Irvine Technology Center
250 Commerce, Suite 100
Irvine, CA 92602
Tel. (714) 665-4400
Fax: (714) 368-7002
Website: www.jonathanengr.com
Engineer - Production - Integration/ Subassembly - Logistics
United States - Mexico - China - Taiwan

TOLERANCES UNLESS OTHERWISE NOTED				PART NUMBER :		DESCRIPTION :
				T1U-400		
.XX	.XXX	ANGLES	HOLES	DATE :		
± .01	± .005	± 1°	± .005	11/10/20		